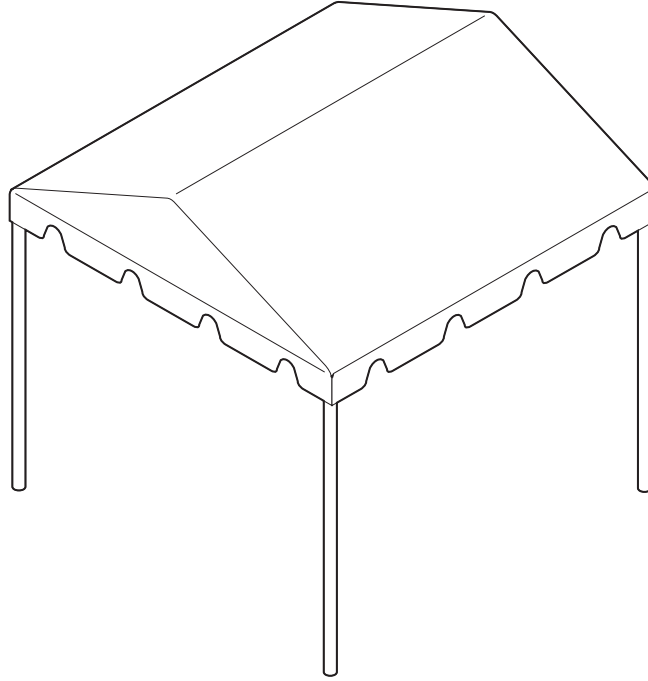


Installation Instructions



MARQUEE
6' - 9' - 10' wide



TopTec Products, LLC
7601 Highway 221 South
Moore, SC 29369
Phone: (800) 845-2830
Fax: (800) 921-7750
e-mail: sales@TopTecProducts.com
www.TopTecProducts.com

Thank You for Purchasing a TopTec Tent

If you have questions about installation, maintenance, or take down, please call us at (800)845-2830. Our goal is that you are completely satisfied with our products. Please read this installation manual carefully and follow all instructions contained herein. Please note that the installer is responsible for the site selection, installation, and use. Do not erect during inclement weather and follow all safety procedures during the installation and take down process.

Please contact all utility companies for underground services. In many states, the utilities work together and have formed a Utility Locating Service. It is your responsibility to locate all underground services, including speaking to the owner about irrigation, pool and other special services that they may have installed. Also, please note that special precautions should be taken such that any overhead powerlines are duly noted and avoided during the tent erection process.

To provide the quickest possible service, please fill in the information below so that we may effectively help you should a problem arise.

Size	Product Code	Serial Number
<input type="text"/>	<input type="text"/>	<input type="text"/>
<input type="text"/>	<input type="text"/>	<input type="text"/>
<input type="text"/>	<input type="text"/>	<input type="text"/>



TopTec Products, LLC in no way represents the estimated holding power to be true in all cases. It is an estimate, and as such does not imply that the figures are sufficient to hold any tent securely in windy or adverse weather conditions. The tent installer accepts sole responsibility for the safe installation, teardown, and maintenance of any tent. TopTec does not represent in any way that the materials provided with the purchase of the tent are sufficient enough to hold it up in windy or adverse weather conditions. There is no way for TopTec to know the site conditions or the weather conditions at the event to be able to recommend the adequate amount of holding power needed to hold the tent safely in position. Furthermore, we are not responsible for the methods which the installer uses to erect the tent or anchor it in position. Installers **MUST** be empowered to deem the tent unsafe for occupancy if/when the weather becomes unstable. For further recommendations on determining necessary staking values, please consult the IFAI Procedural Handbook for the Safe Installation and Maintenance of Tentage and the IFAI's Pullout Capacity of Tent Stakes. These resources are available from the IFAI Tent Rental Division.

Recommended Tools and Equipment

Personal Safety

- Gloves
- Hard Hat
- Safety Glasses

Site Transport

- Hand Truck (tops)
- Pole dolly

Frame Erection

- Files for deburring sharp edges
- Cable Ties (for rigging accessories)
- 8' and 10' Step Ladders

Stake Installation and Removal

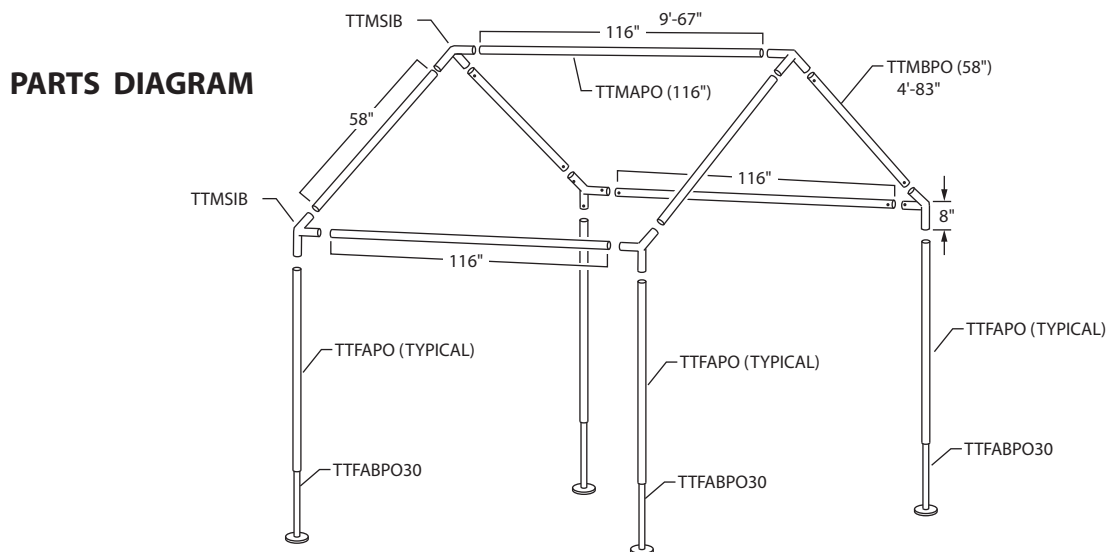
- 10 to 16lb. sledge hammer
- Gas powered stake driving machine (optional)
- 24" Pipe wrench for loosening stakes
- Mechanical stake puller

Tent Installation

- Ground Covers
- Cleaning Supplies

Important Notes for Pre-Installation

Note the locations of any potential obstacles or hazards, per the site survey that should have been conducted prior to this installation. **Please note that special precautions should be taken such that any overhead power lines are duly noted and avoided during the tent erection process.** Accordingly, define what will be the perimeter of the tent. Lay out the general size of the tent by measuring and matching the ground surface with the size of tent that will be placed there.

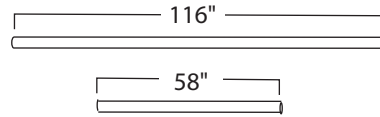
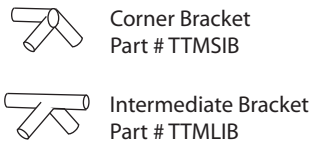


Marquee

Step 1:

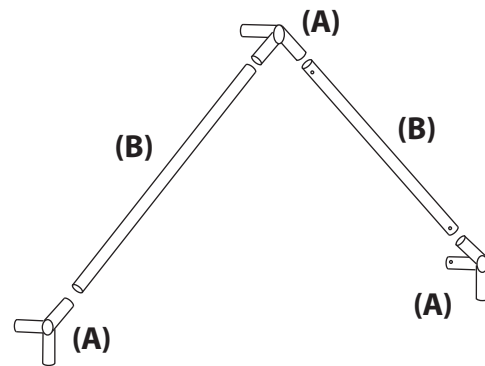
Locate all bracketry and poles.

Perimeter poles and ridge poles will be 116" long. Rafter poles will be 58" long. Corners and end rafter brackets are identical. Intermediate brackets and roof rafter brackets are identical also.



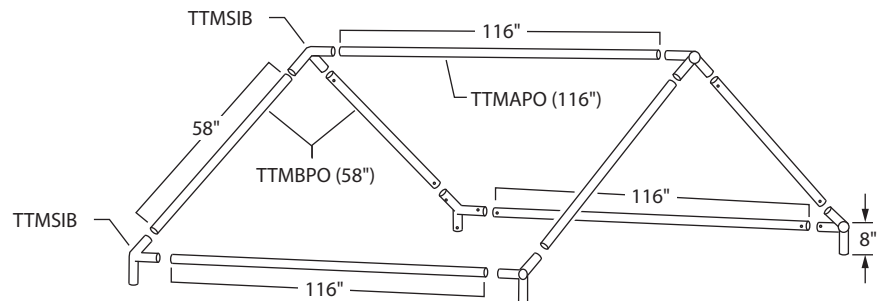
Step 2:

Install corners (A) onto ends of 58" rafter poles (B). See drawing at the right. Install top bracket of end section (A) to the opposite ends of the rafter poles. This will complete one end rafter arch. Repeat this process for the other end rafter arch.



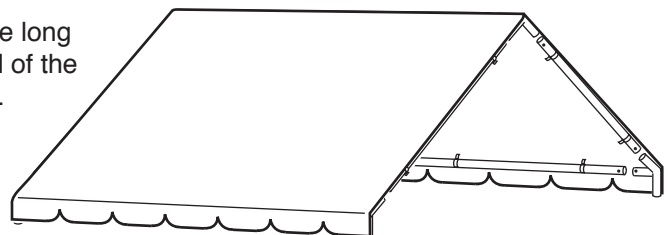
Step 3:

If only using one section in this marquee setup, then simply join the 2 arches together with 3 perimeter poles (116") - 2 are opposite eaves, and the third is the ridge. If using multiple sections, then join sections with long intermediate brackets (TTMLIB, as noted in step 1 above) as needed. Repeat this process until the desired length is achieved.



Step 4:

Place tent top onto the frame and secure the buckles along one long side. Complete the installation of the top fabric by securing all of the buckles along the other long side and on the rafters of the tent.

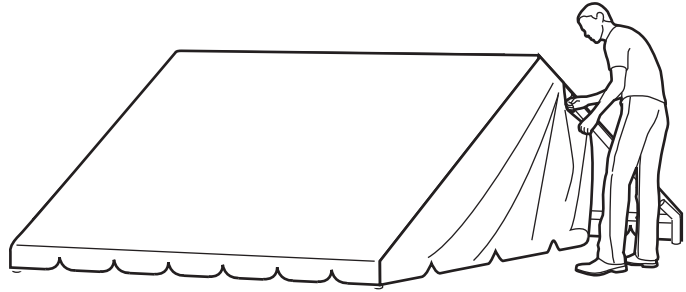


Marquee

Step 5:

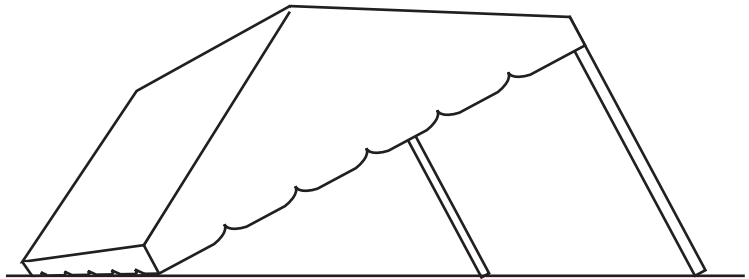
Place the first end panel into position starting at the peak and working outward toward the corners - fastening the velcro as you go. You must pay special attention to the velcro as the panels will only attach to their respective ends of the tent (i.e. the "rough" sided velcro of one panel will only fit on the "smooth" sided velcro found on one end of the tent top).

Repeat this process for the other end panel.



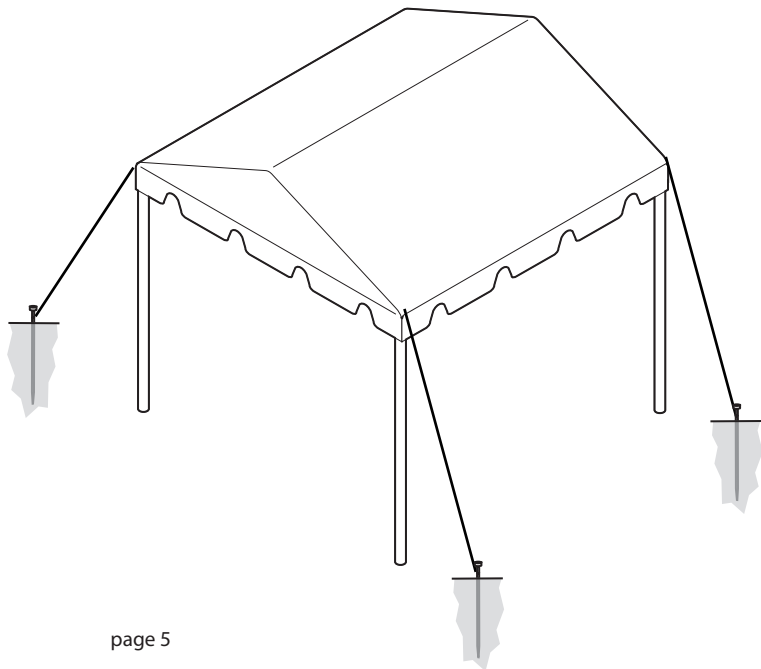
Step 6:

Continue the installation by raising the frame and canopy on one long side and insert the legs into the corner brackets and intermediate brackets. Repeat this for the other side of the tent.



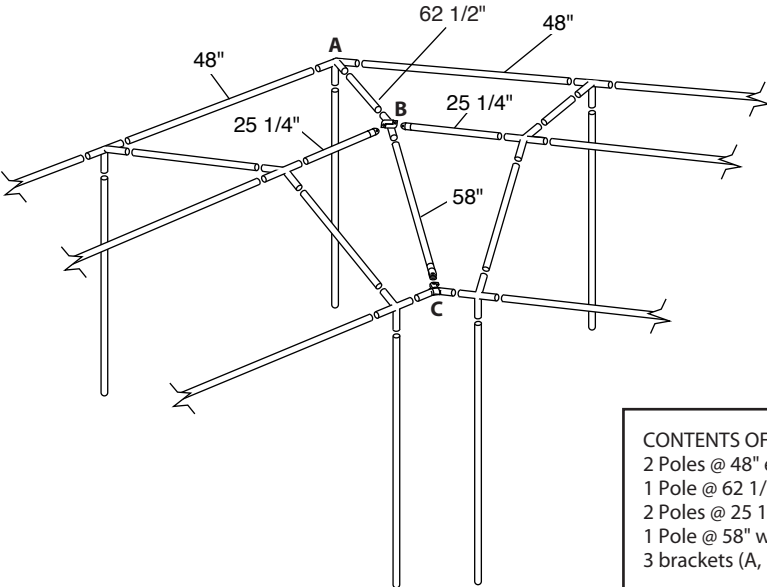
Step 7:

Complete the tent installation by outguying as necessary with appropriate size stakes.

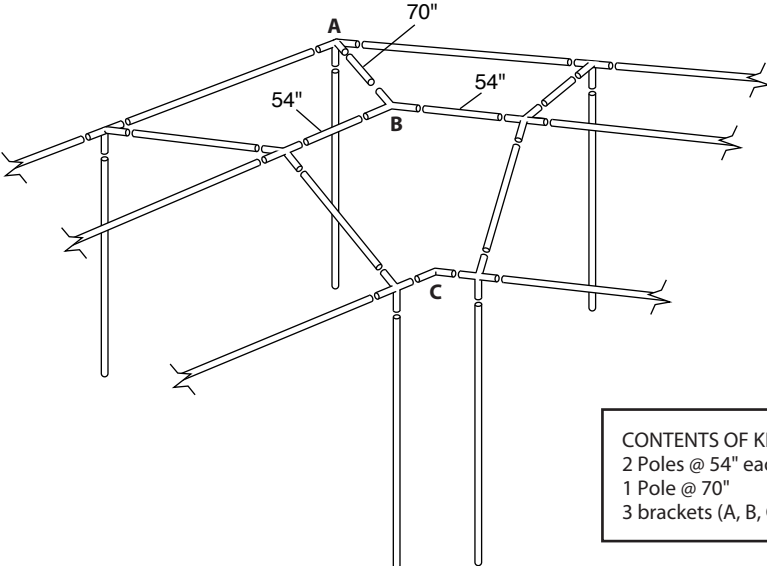


MARQUEE FRAME OPTIONS

45 degree MARQUEE ASSEMBLY DIAGRAM



90 degree MARQUEE ASSEMBLY DIAGRAM



NOTE:
ANY PART NOT NOTED IN THE CONTENTS BOX WILL
BE INCLUDED WITH THE BASE FRAMEWORK.

Anchoring Requirements (Non-Certified Tents)

Non-certified tents are not engineered to meet specific wind loads. Wind loads are approximate and are generally rule of thumb calculations used in the industry based on actual field experience. Windload of a non-certified tent will vary to a maximum of approximately 30 to 50 mph dependent upon the style of type of tent. The structural integrity of the tent may exceed the soil's holding capacity even at wind loads of 30 to 50 mph.

Frame tents require approximately 1000 to 2000 lbs of holding power per anchor location (dependent on the size and style of the tent). For safety of all occupants, evacuation is recommended if weather becomes severe.

Severe storms have micro bursts of wind that may be recorded far in excess of the storm's highest winds. The installer is responsible for properly securing the temporary structure (tent). Soil conditions will vary and the wind loads that the temporary structure can handle could be significantly below its wind load capabilities.

Tent Size	Square Feet	Anchor Pounds Required	Safety Factor	Anchor Locations	Holding Power Required at Each Anchor Location
6x10	60	576	1.5	4	144lbs.*
9x10	90	864	1.5	4	216lbs.*
10x10	100	960	1.5	4	240lbs.*

*Holding power is based on firm soil conditions. If other conditions prevail, the holding power will decrease and alternate anchoring methods are required.

Installed Tent Inspection

Staking: Check all stakes for signs of movement.

Tensioning: Check all ropes/straps for proper tension and make sure that the tent top is set for proper drainage.

Poles: Check that all poles are properly aligned, securely tied, and structurally sound.

Sidewalls: Check that they are properly secured as needed.

Special Considerations: Make sure that the installation is in compliance with all local building, fire, and public safety codes.